

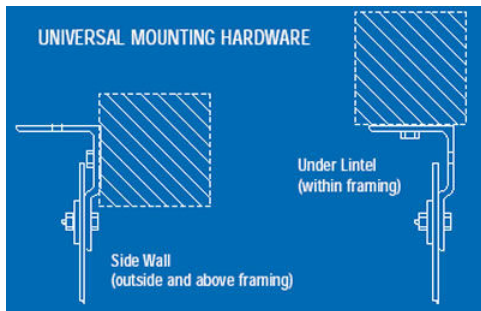
Easy Installation Instructions

You have chosen our 8" 0.80 gauge ___ 100% ___ 50% coverage clear strips, Please see below for mounting example

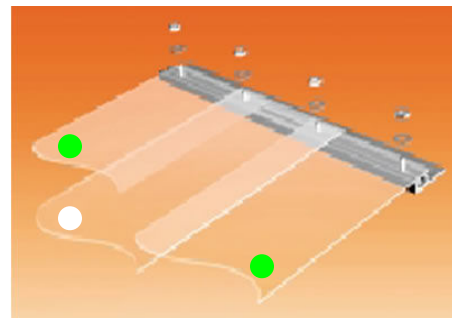
We have enclosed easy installation diagrams for your convenience any question or concerns please call.

Easy Installation

1. Mounting your hardware:



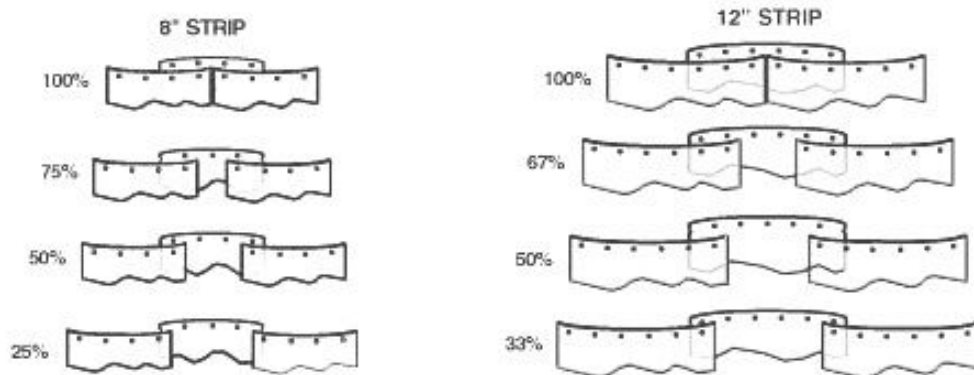
2. Installing strips:



At the end of each strip is a green tag, this helps to position the strips too the proper pattern. When mounting please have green tags opposite of each other, by doing this it will assure a proper seal.

3. Coverage diagram:

Please start at one end of the mounting bar and continue hanging your strips until finished. (If your door kit was ordered with green, yellow or orange strips for the outer side identification, please start and end with color strips)



4. Trimming:

After hanging strips, please let hang for 24 hours before trimming.