

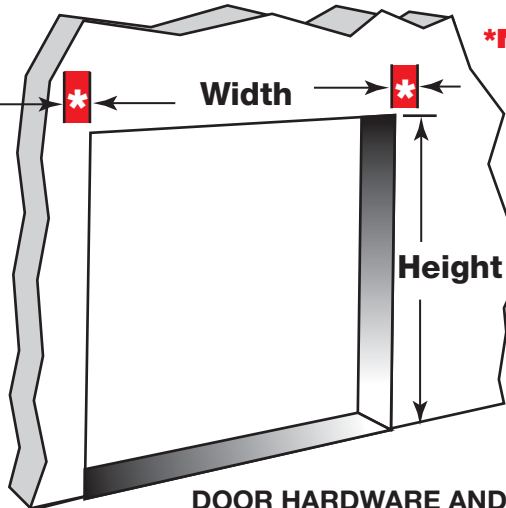
STANDARD GAUGE OVERLAP CONFIGURATIONS

PLEASE INDICATE THE WIDTH AND OVERLAP DESIRED BY CHECKING THE APPROPRIATE BOX

<p>6" STRIP</p> <p>100% <input type="checkbox"/></p> <p>67% <input type="checkbox"/></p> <p>Specify Gauge <input type="checkbox"/> .060 <input type="checkbox"/> .080</p> <hr/> <p>8" STRIP</p> <p>100% <input type="checkbox"/></p> <p>50% <input type="checkbox"/></p> <p>Specify Gauge <input type="checkbox"/> .080 <input type="checkbox"/> .120</p>	<p>12" STRIP</p> <p>100% <input type="checkbox"/></p> <p>75% <input type="checkbox"/></p> <p>50% <input type="checkbox"/></p> <p>25% <input type="checkbox"/></p> <p>Specify Gauge <input type="checkbox"/> .080 <input type="checkbox"/> .120</p>	<p>16" STRIP</p> <p>100% <input type="checkbox"/></p> <p>75% <input type="checkbox"/></p> <p>50% <input type="checkbox"/></p> <p>25% <input type="checkbox"/></p> <p>Specify Gauge <input type="checkbox"/> .080 <input type="checkbox"/> .120</p>
---	---	---

Material Type Standard Polar Green Welding Yellow

DOORWAY OPENING DIMENSIONS
PLEASE INDICATE BOTH THE HEIGHT AND WIDTH OF THE DOORWAY OPENING



***Note: FOR WALL MOUNT ONLY**
If additional coverage is required include this in the doorway width and height

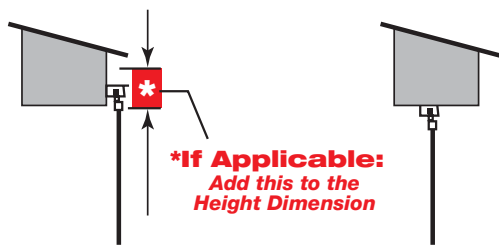
Doorway Opening Dimensions

Width: _____

Height: _____

DOOR HARDWARE AND TYPES OF MOUNTING

WALL MOUNT HEADER MOUNT



***If Applicable:**
Add this to the Height Dimension

PLEASE CHECK THE APPROPRIATE BOX FOR YOUR SPECIFIC APPLICATION

Order Contact:

Company Name: _____

Contact Name: _____

Address: _____

City: _____

State: _____

Zip: _____

Phone: _____

Fax: _____

Email: _____

Bill To: (Same as order contact)

Company Name: _____

Attn: _____

Address: _____

City: _____

State: _____

Zip: _____

Phone: _____

Email: _____

Ship To: (Same as order contact)

Company Name: _____

Attn: _____

Address: _____

City: _____

State: _____

Zip: _____

Phone: _____

Fax: _____

Email: _____

All quoted doors are shipped with universal hardware mounts.